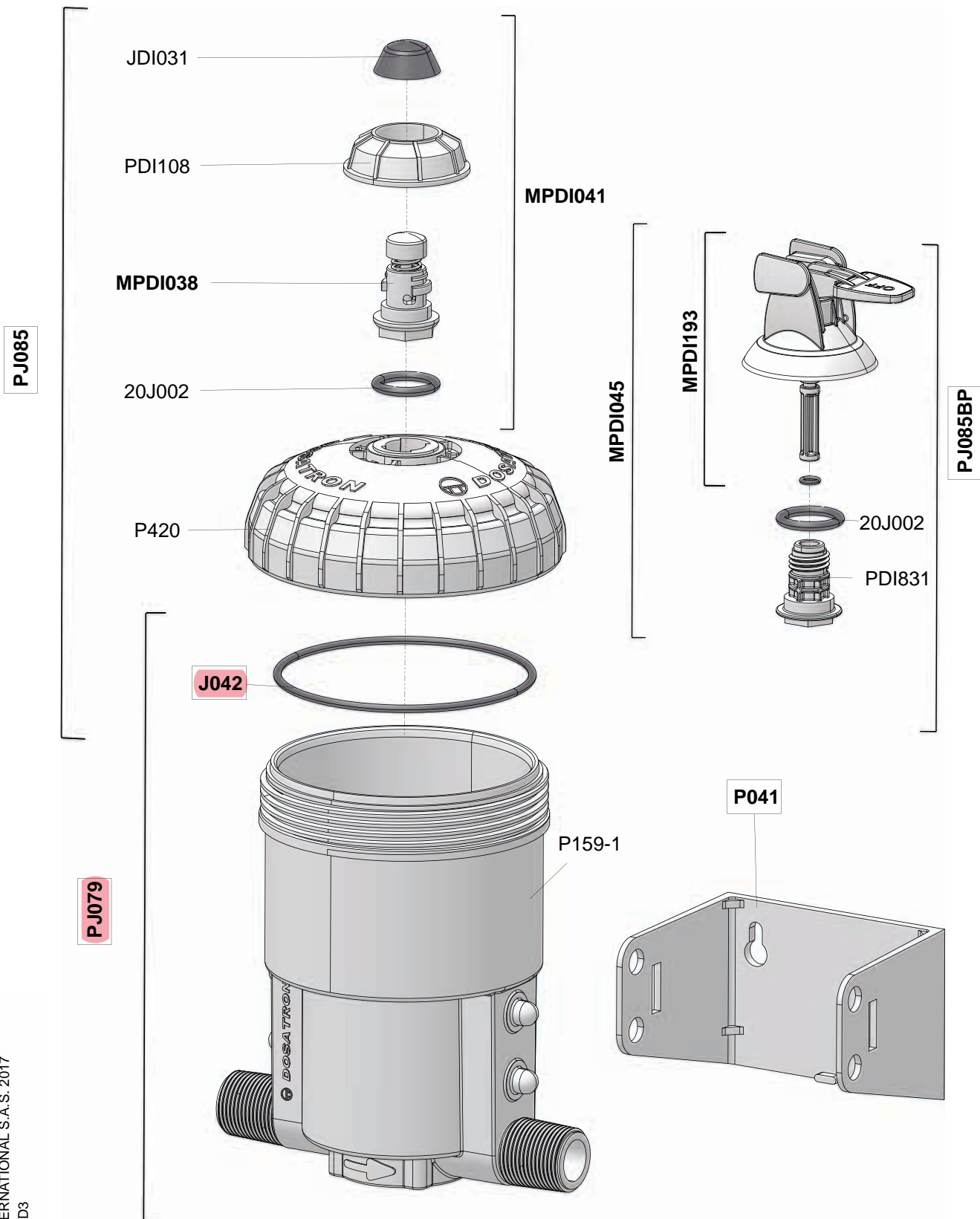


# D25 0.2 - 2%

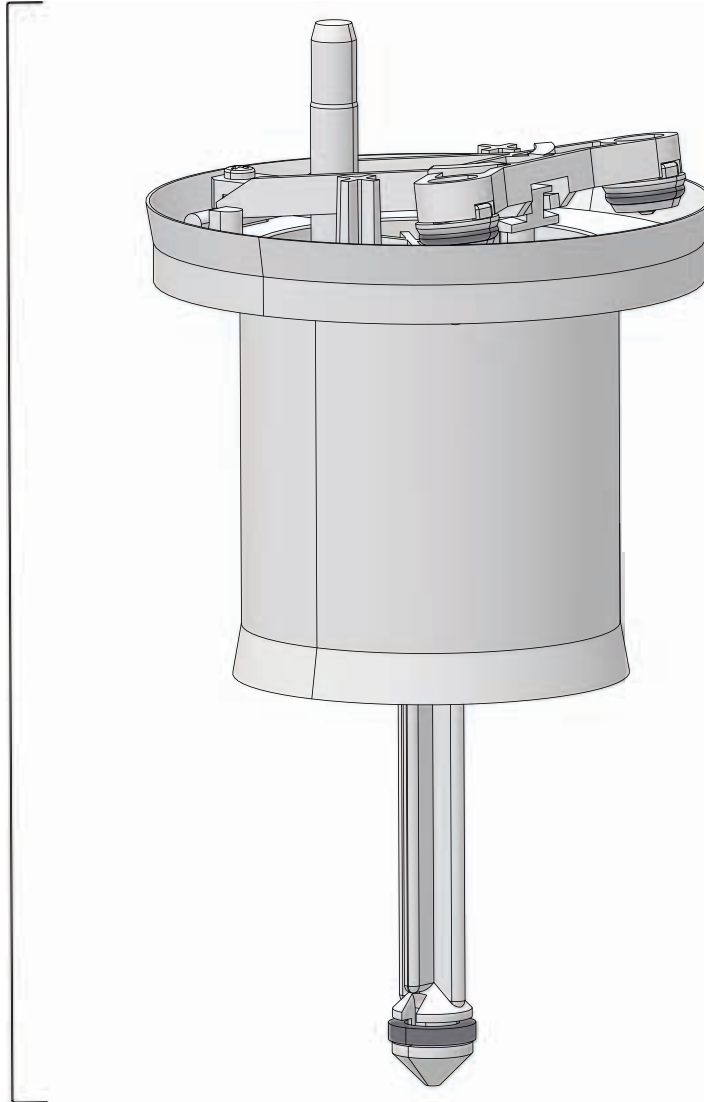
2.5m<sup>3</sup>/h - 0.2 - 2%  
11 GPM - 1:500 - 1:50  
0.3 - 6 bar  
4.3 - 85 psi



C+M

# D25 0.2 - 2%

2.5m<sup>3</sup>/h - 0.2 - 2%  
11 GPM - 1:500 - 1:50  
0.3 - 6 bar  
4.3 - 85 psi

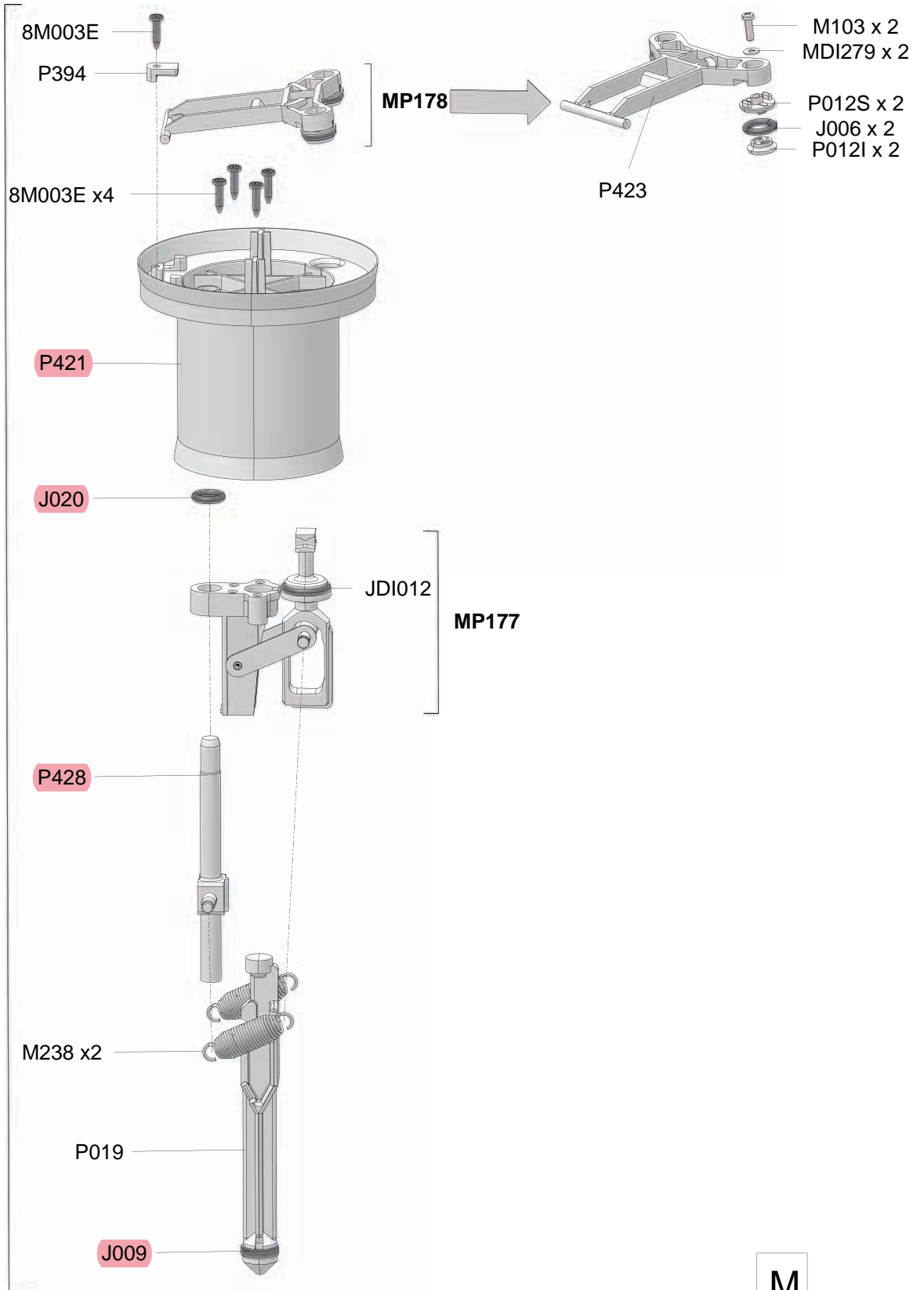


PC061

M

# D25 0.2 - 2%

2.5m<sup>3</sup>/h - 0.2 - 2%  
 11 GPM - 1:500 - 1:50  
 0.3 - 6 bar  
 4.3 - 85 psi

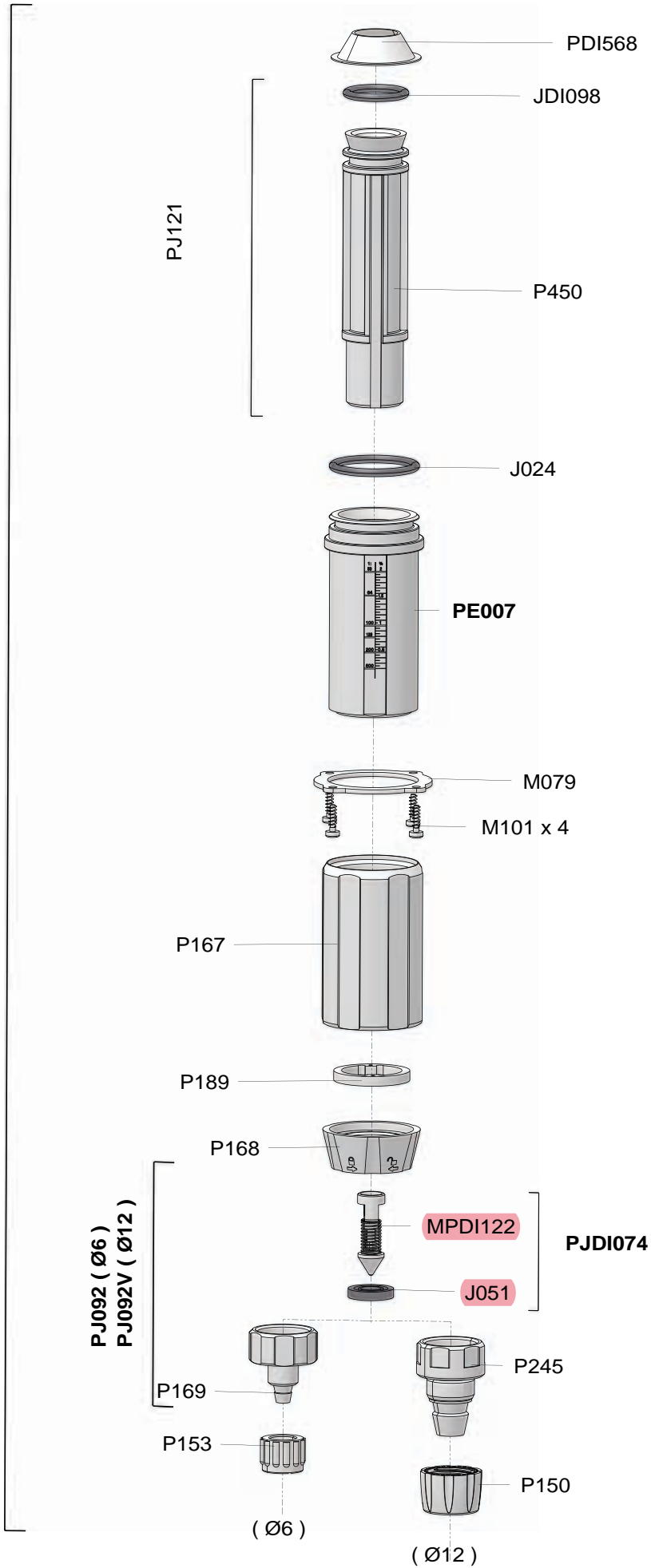


M

# D25 0.2 - 2%

2.5m<sup>3</sup>/h - 0.2 - 2%  
 11 GPM - 1:500 - 1:50  
 0.3 - 6 bar  
 4.3 - 85 psi

CD072 ( Ø6 )  
 CD072V ( Ø12 )

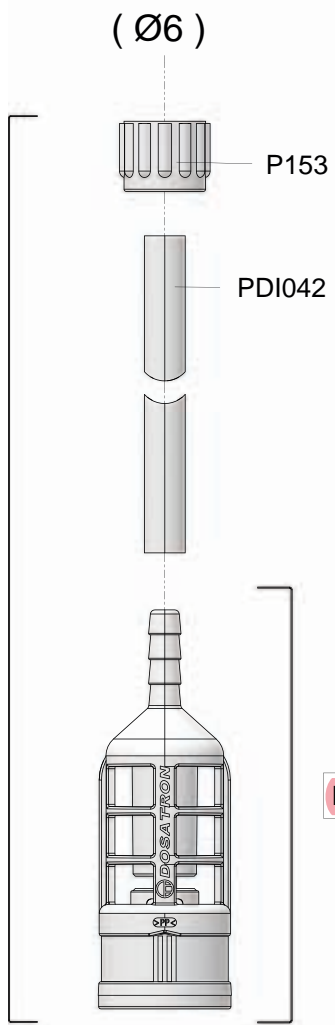


D

# D25 0.2 - 2%

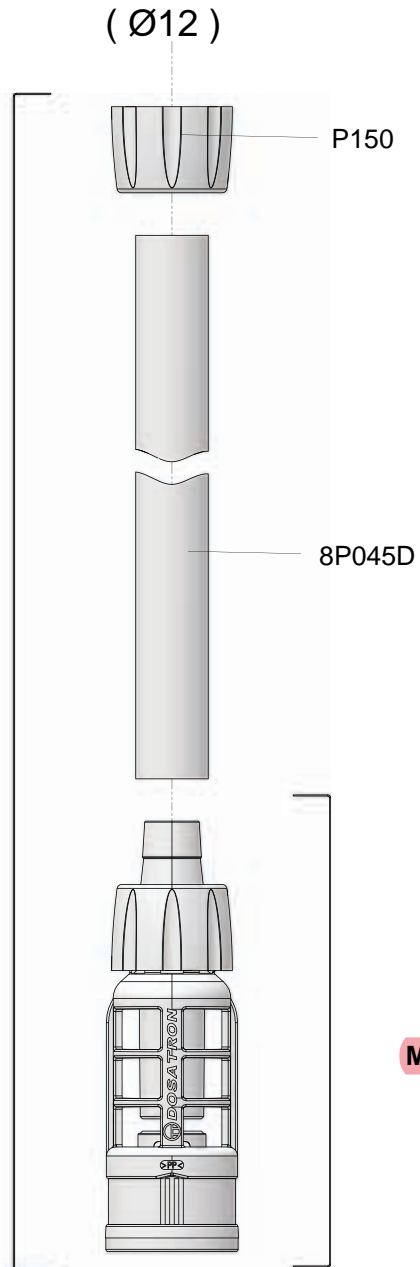
2.5m<sup>3</sup>/h - 0.2 - 2%  
11 GPM - 1:500 - 1:50  
0.3 - 6 bar  
4.3 - 85 psi

MP004



MPDI206

MP104



MPDI211

A